

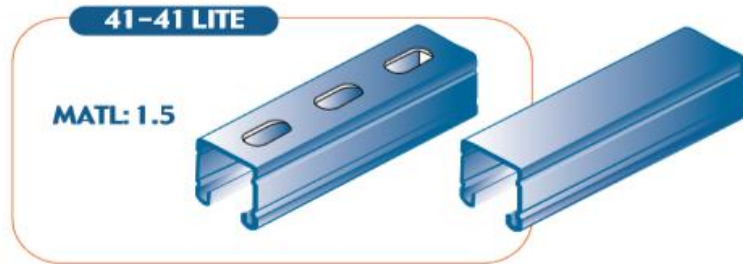
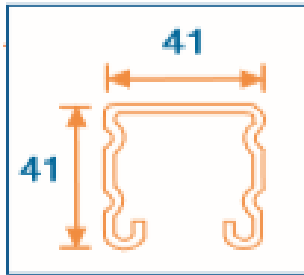


# Steel Sections

Cold Rolled Forming Specialists

**Steel Sections**  
Howard Street, Hill Top  
West Bromwich B70 0ST  
Tel: 0121 556 911  
Fax: 0121 502 5611

## Product Data Sheet



Manufactured in accordance to BS6946 1988  
Available with Slots 28x14mm or 28x12mm at 50mm c/c.  
Lengths - 3m or 6m

### Material:

G.S1                      Pre Galvanised Steel - BS EN 10346 2015, S280 min. yield, Z275 NAC

### Finishes:

G.S1                      BS EN 10346 Coating

Steel Sections cannot be held responsible for any changes or amendments made by BS or BS EN standards applicable to the above products.

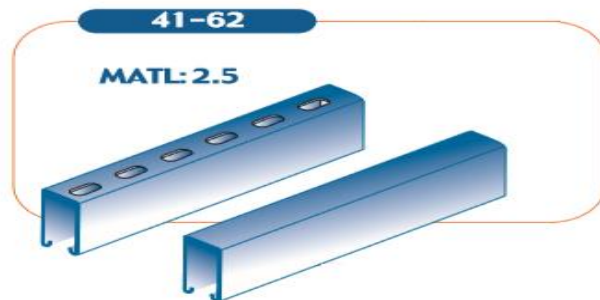
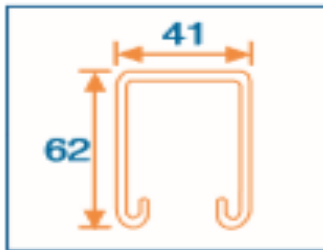


# Steel Sections

Cold Rolled Forming Specialists

Steel Sections  
Howard Street, Hill Top  
West Bromwich B70 0ST  
Tel: 0121 556 911  
Fax: 0121 502 5611

## Product Data Sheet



Manufactured in accordance to BS6946 1988  
Available with Slots 28x14mm at 50mm c/c.  
Lengths - 3m or 6m

### Material:

G.S5                    Pre Galvanised Steel - BS EN 10346 2015, S280 min. yield, Z275 NAC

### Finishes:

G.S5                    BS EN 10346 Coating

Steel Sections cannot be held responsible for any changes or amendments made by BS or BS EN standards applicable to the above products.

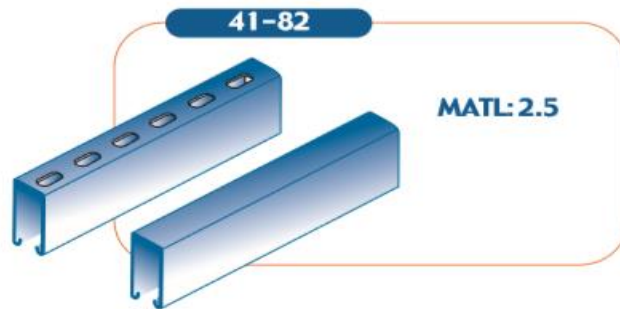
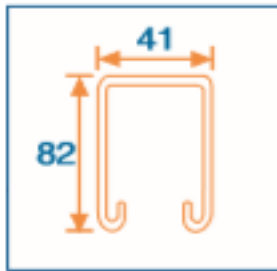


# Steel Sections

Cold Rolled Forming Specialists

Steel Sections  
Howard Street, Hill Top  
West Bromwich B70 0ST  
Tel: 0121 556 911  
Fax: 0121 502 5611

## Product Data Sheet



Manufactured in accordance to BS6946 1988  
Available with Slots 28x14mm at 50mm c/c.  
Lengths - 3m or 6m

### Material:

G.S6                      Pre Galvanised Steel - BS EN 10346 2015, S280 min. yield, Z275 NAC

### Finishes:

G.S6                      BS EN 10346 Coating

Steel Sections cannot be held responsible for any changes or amendments made by BS or BS EN standards applicable to the above products.

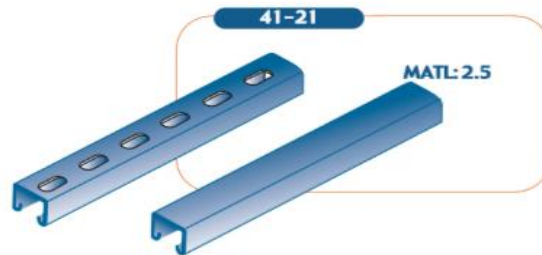
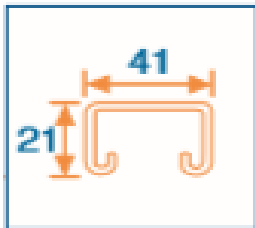


# Steel Sections

Cold Rolled Forming Specialists

Steel Sections  
Howard Street, Hill Top  
West Bromwich B70 0ST  
Tel: 0121 556 911  
Fax: 0121 502 5611

## Product Data Sheet



Manufactured in accordance to BS6946 1988  
Available with Slots 28x14mm or 28x12mm at 50mm c/c.  
Lengths - 3m or 6m

### Material:

HR.S2	Plain Coil to BS EN 10025 Pickled & Oiled min. yield 275 n/mm <sup>2</sup>
G.S2	Pre Galvanised Steel - BS EN 10346 2015, S280 min. yield, Z275 NAC
HDG.S2	Plain Coil to BS EN 10025 Pickled & Oiled min. yield 275 n/mm <sup>2</sup>
T316.S2	Stainless Steel Coil Hot Rolled to BS EN 10088-2-1.4404

### Finishes:

HR.S2	Self Colour - Black Mild Steel
G.S2	BS EN 10346 Coating
HDG.S2	Hot Dip Galvanised - to BS EN ISO 1461: to a mean coating thickness (average) of 55µm
T316.S2	Stainless Steel - HR

Steel Sections cannot be held responsible for any changes or amendments made by BS or BS EN standards applicable to the above products.

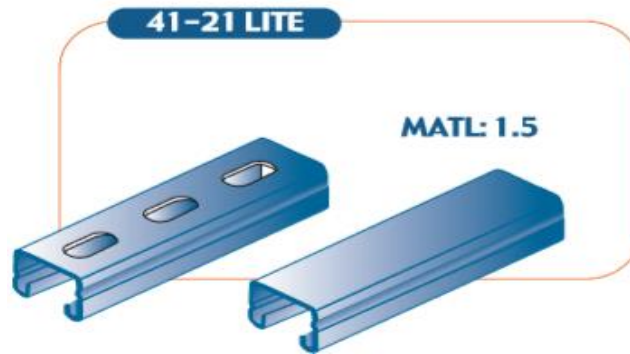
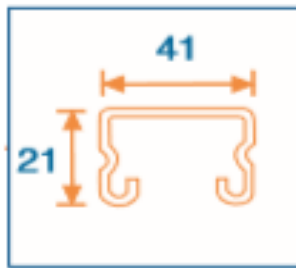


# Steel Sections

Cold Rolled Forming Specialists

**Steel Sections**  
Howard Street, Hill Top  
West Bromwich B70 0ST  
Tel: 0121 556 911  
Fax: 0121 502 5611

## Product Data Sheet



Manufactured in accordance to BS6946 1988  
Available with Slots 28x14mm or 28x12mm at 50mm c/c.  
Lengths - 3m or 6m

### Material:

G.S4                      Pre Galvanised Steel - BS EN 10346 2015, S280 min. yield, Z275 NAC

### Finishes:

G.S4                      BS EN 10346 Coating

Steel Sections cannot be held responsible for any changes or amendments made by BS or BS EN standards applicable to the above products.

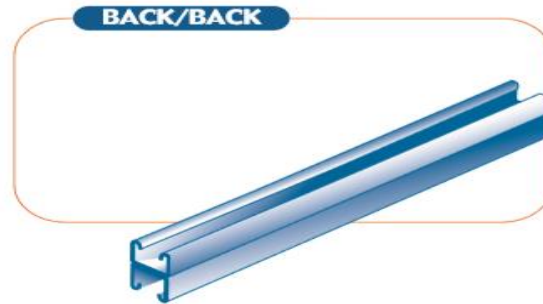
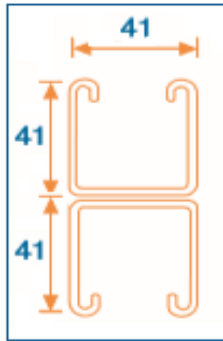


# Steel Sections

Cold Rolled Forming Specialists

**Steel Sections**  
Howard Street, Hill Top  
West Bromwich B70 0ST  
Tel: 0121 556 911  
Fax: 0121 502 5611

## Product Data Sheet



Manufactured in accordance to BS6946 1988  
Available with Slots 28x14mm or 28x12mm at 50mm c/c.  
Lengths - 3m or 6m  
Spot welded at 150mm c/c

### Material:

HR.S1/B	Plain Coil to BS EN 10025 Pickled & Oiled min. yield 275 n/mm <sup>2</sup>
G.S1/B	Pre Galvanised Steel - BS EN 10346 2015, S280 min. yield, Z275 NAC
HDG.S1/B	Plain Coil to BS EN 10025 Pickled & Oiled min. yield 275 n/mm <sup>2</sup>
T316.S1/B	Stainless Steel Coil Hot Rolled to BS EN 10088-2-1.4404

### Finishes:

HR.S1/B	Self Colour - Black Mild Steel
G.S1/B	BS EN 10346 Coating
HDG.S1/B	Hot Dip Galvanised - to BS EN ISO 1461: to a mean coating thickness (average) of 55µm
T316.S1/B	Stainless Steel - HR

Steel Sections cannot be held responsible for any changes or amendments made by BS or BS EN standards applicable to the above products.



# Steel Sections

Cold Rolled Forming Specialists

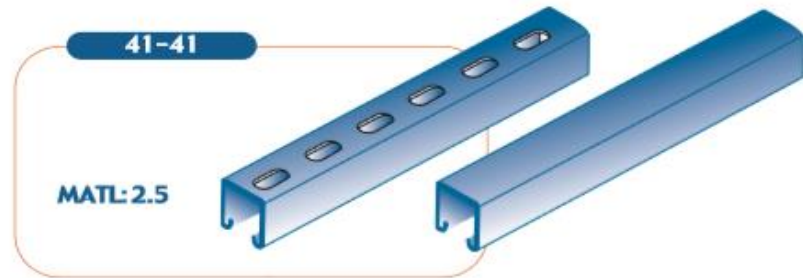
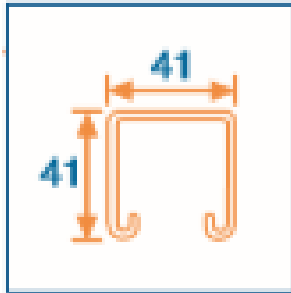
## Steel Sections

Howard Street, Hill Top  
West Bromwich B70 0ST

Tel: 0121 556 911

Fax: 0121 502 5611

## Product Data Sheet



Manufactured in accordance to BS6946 1988  
Available with Slots 28x14mm or 28x12mm at 50mm c/c.  
Lengths - 3m or 6m

### Material:

HR.S1	Plain Coil to BS EN 10025 Pickled & Oiled min. yield 275 n/mm <sup>2</sup>
G.S1	Pre Galvanised Steel - BS EN 10346 2015, S280 min. yield, Z275 NAC
HDG.S1	Plain Coil to BS EN 10025 Pickled & Oiled min. yield 275 n/mm <sup>2</sup>
T316.S1	Stainless Steel Coil Hot Rolled to BS EN 10088-2-1.4404

### Finishes:

HR.S1	Self Colour - Black Mild Steel
G.S1	BS EN 10346 Coating
HDG.S1	Hot Dip Galvanised - to BS EN ISO 1461: to a mean coating thickness (average) of 55µm
T316.S1	Stainless Steel - HR

Steel Sections cannot be held responsible for any changes or amendments made by BS or BS EN standards applicable to the above products.