





Company:	
Contact Name:	
Project:	
Order No.	Date:

# ZED PURLINS

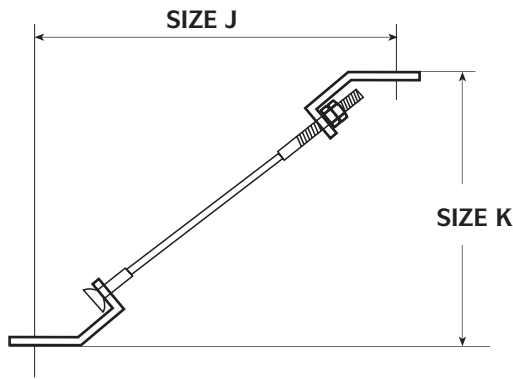
## Steel Sections

Howard Street, Hill Top, West Bromwich  
West Midlands, B70 0ST

Tel: 0121 556 9111  
Fax: 0121 502 5611



### DIAGONAL TIE WIRES



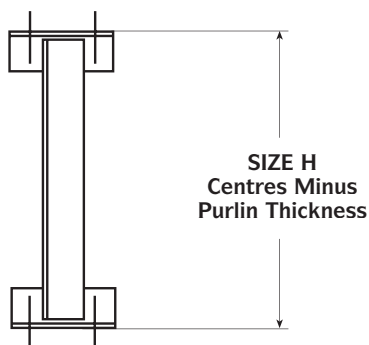
Size J	Size K	Qty	Mark Up

### EAVES BEAM STIFFENING CLEAT



Qty	Mark Up

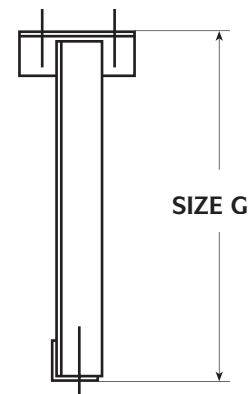
### PURLIN SIDE RAIL SUPPORT



Purlin Size	Size H	Qty	Mark Up

### EAVES BEAM SIDE RAIL

Use only with Stiffening Cleat



Purlin Size	Size G	Qty	Mark Up

Company:	
Contact Name:	
Project:	
Order No.	Date:

# ZED PURLINS

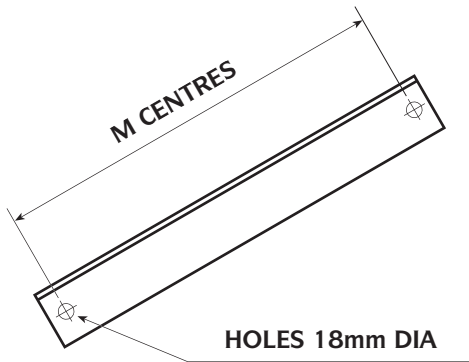
## Steel Sections

Howard Street, Hill Top, West Bromwich  
West Midlands, B70 0ST

Tel: 0121 556 9111  
Fax: 0121 502 5611

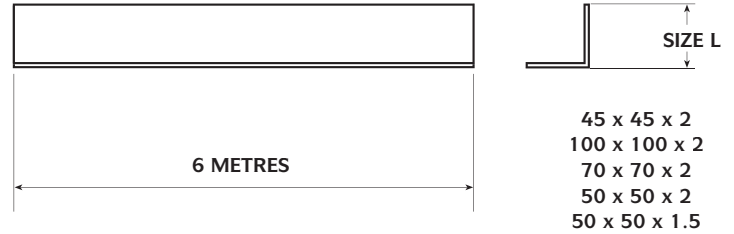


### RAFTER STAYS



M Centres	Qty	Mark Up

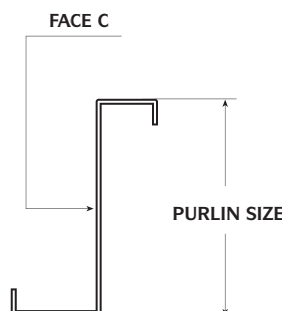
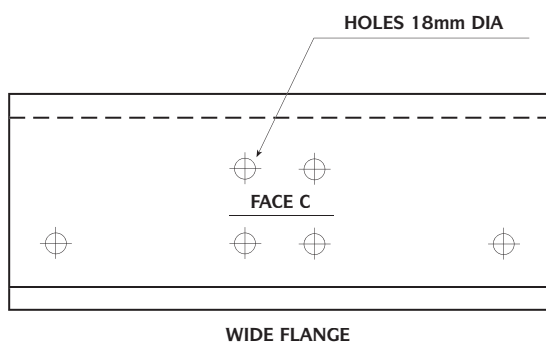
### CLEADER ANGLE



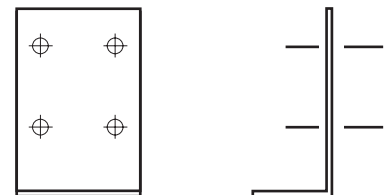
Size L	Qty

Purlin Size	Qty

### SLEEVES



### PURLIN CLEATS



Purlin Size	Qty	Mark Up

Company:	
Contact Name:	
Project:	
Order No.	Date:

# ZED PURLINS

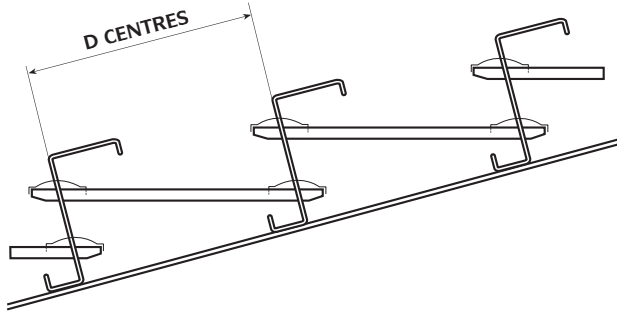
## Steel Sections

Howard Street, Hill Top, West Bromwich  
West Midlands, B70 0ST

Tel: 0121 556 9111  
Fax: 0121 502 5611

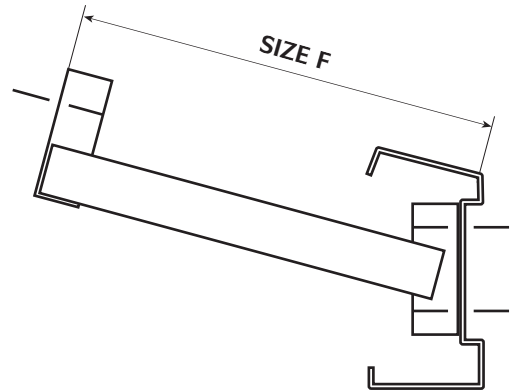


### SAG BARS



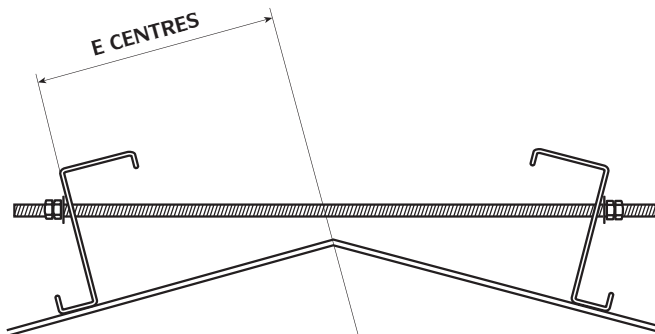
Purlin Size	D Centres	Qty	Mark Up

### EAVES TIE



Purlin Size	Roof Slope	Size F	Qty	Mark Up

### APEX TIE



Purlin Size	Roof Slope	E Centres	Qty	Mark Up













